

z8612 Fast & Image-free RF Downconverter

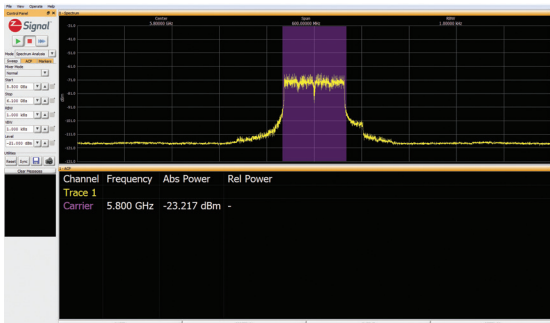
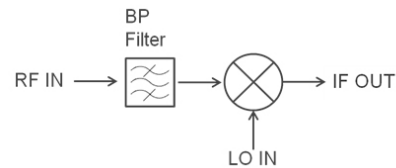


Key Specifications

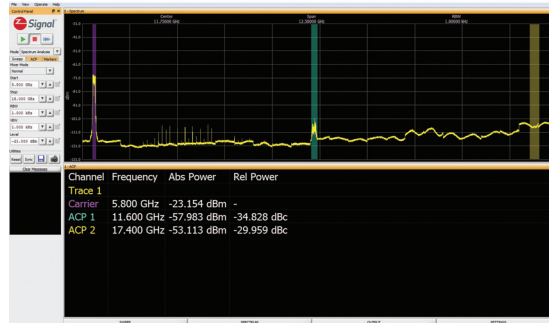
- 20 GHz Spectrum Analyzer extension to z8653 VSA
- Adds Harmonic, Spurious Emission & Band-Edge test coverage
- 250 MHz to 20 GHz frequency range
- Noise floor cancellation capability (switchable termination)
- Fast image-free downconversion

Remarkable Test Capabilities

- Harmonic & Spurious Emission Tests
- Bypass path for ≤ 6 GHz TX Quality measurements
- Fast & Image-free Downconversion
 - Filtering time ≈ 1 ms
 - Whole spectrum (500 MHz–20 GHz) sweep time ≈ 1.1 -1.5 s

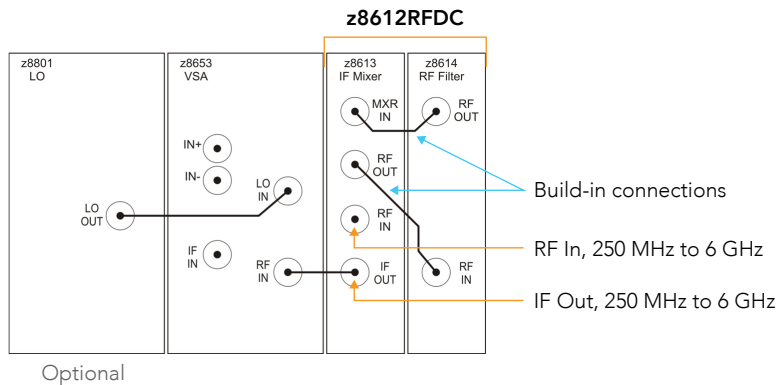


Spurious Emission Testing



Harmonic Emission Testing

Configurations



Software

- zSignal Spectrum Analyzer GUI
- zSignal WLAN (a/b/g/j/n/p/ac/af/ah/ax)
- zSignal Cellular (2G/3G/4G)
- zScript test sequencer
- IQfact+ & IQramp
- Support for C/C++, LabVIEW™, Matlab, TCL and Python programming environments

zSignal Cellular



zSignal WLAN



zScript

Temperature	25	-20	85	65	Overall Test Conditions
Soak Time	300				Temperature set points
VCC	3.3				
PAE V	2.95				
PAE Start Delta	4.00E-07				Power up before RF applied
PAE Stop Delta	3.00E-07				Power held after RF off
PAE Duty Cycle	50	20			
LNA V	2.95				
Header Only	1				
Full Packet	1				
LO EXT	1				
Standard	80211n				First Test Subset
Mode	TX				I = do this test subset
Enable	1				Analysis bandwidth
BW	20				Channel frequency
Freq	5.18	5.5	5.85		Modulation selection
EVM MCS	0	7			
Masked MCS	0	7			
TX99 ICC MCS	0	7			
Pwr	-20	-5	1		Input power: lo, hi, step
Standard	80211ac				Second Test Subset
Mode	TX				
Enable	1				
BW	20				
Freq	5.21	5.53	5.775		
EVM MCS	0	7	8		
Masked MCS	0	7	8		
TX99 ICC MCS	0	7	8		
Pwr	-20	-5	1		

