

TECHNICAL SPECIFICATIONS

IQ5862™

RF Switch Control Box

LITEPOINT

© 2023 LitePoint, A Teradyne Company.
All rights reserved.



Overview

The IQ5862 control box, is an optional accessory for LitePoint's test system used for external RF switch control. Together with the companion tester (sold separately), the control box enables parallel control of two IQ3107 RF switches to enable multi-device, multi-antenna testing across R&D, DVT and manufacturing.

Sold as part of the IQ3107 single and dual switch kit, the IQ5862 uses an iPass cable to establish a connection the tester and DB25 cables to power and control the switch(s). Once connected to the test system, the IQ5862 integrates seamlessly and facilitates easy control of the switch using the tester SCPI commands.

IQ5862 Control Box

Top View



Side View



I/O	Function	Type
CTRL1	Power and Control	DB25 female connector
CTRL2	Power and Control	DB25 female connector
STATUS	LED green – Indicates the RF switch has been detected by the tester	LED indicator
COMMON	Power and Control	26 pin iPass connector

Hardware Specifications

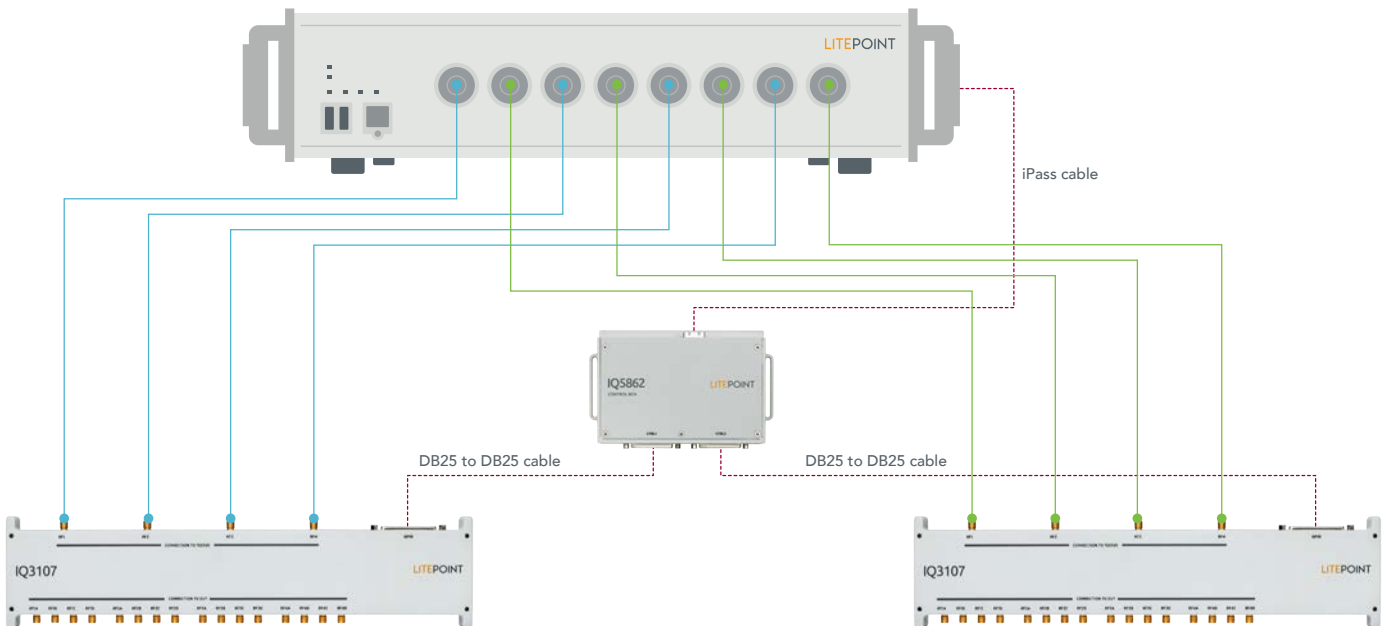
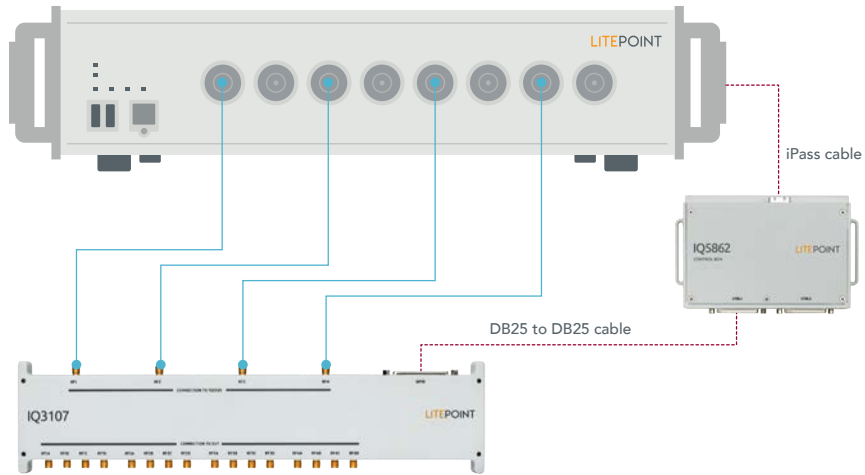
Parameter	Value
Output Voltage	+5V
Maximum Number of Switch Connections Supported	2

General and Environmental

Parameter	Value
Dimensions	5.66"(L) x 3.58"(B) x 1.24" (H) (144 mm x 91 mm x 31 mm)
Weight	1.45 lb. (657 gm)
Operating temperature	0°C to +85°C
Storage temperature	-20°C to +70°C (IEC EN60068-2-1, 2, 14)
Specification validity temperature	20°C to 35°C (valid range for specifications)
Operating humidity	15% to 95% relative humidity, non-condensing (IEC EN60068-2-30)
EMC/EMI	61326-1: 2013 Industrial Environment, CISPR11 Class A per EN61326-1:2013, FCC Part 15 Class A, VCCI V-3 Class A, BSMI CNS-13438 Class A, ACMA AS/NZS CISPR11: 2011, ICES-003 Class A
Safety	IEC 61010-1, EN61010-1, UL61010-1:2012 and Canada: CSA C22.2 No. 61010-1, GI1, GI2
Warranty	12 months hardware

Configuration

Together with the companion tester (sold separately), the IQ5862 & IQ3107 switch control kit can be used in multiple different use models. Below are two example setups illustrating use of single and dual switch for multi-DUT testing in R&D, DVT and manufacturing test environment.



Order Codes

Code	Product
0150-XLMX-006	IQ3107 single switch kit, translates 4 tester ports to 16 DUT ports, operational between 400 MHz to 7.3 GHz. Includes one IQ5862 control box, one IQ3107 switch, one iPass cable and one DB25 to DB25 control cable.
0150-XLMX-007	IQ3107 dual switch kit, translates 4 tester ports to 16 DUT ports, operational between 400 MHz to 7.3 GHz. Includes one IQ5862 control box, two IQ3107 switches, one iPass cable and two DB25 to DB25 control cables.

LITEPOINT

© 2023 LitePoint, A Teradyne Company.
All rights reserved.

TRADEMARKS

LitePoint and the LitePoint logo are registered trademarks of LitePoint Corporation. IQ5861 is a trademark of LitePoint Corporation. All other trademarks or registered trademarks are owned by their respective owners.

RESTRICTED RIGHTS LEGEND

No part of this document may be reproduced, transmitted, transcribed, stored in a retrieval system, or translated into any language or computer language, in any form or by any means, electronic, mechanical, magnetic, optical, chemical, manual, or otherwise, without the prior written permission of LitePoint Corporation.

DISCLAIMER

LitePoint Corporation makes no representations or warranties with respect to the contents of this manual or of the associated LitePoint Corporation products, and specifically disclaims any implied warranties of merchantability or fitness for any particular purpose. LitePoint Corporation shall under no circumstances be liable for incidental or consequential damages or related expenses resulting from the use of this product, even if it has been notified of the possibility of such damages.

If you find errors or problems with this documentation, please notify LitePoint Corporation at the address listed below. LitePoint Corporation does not guarantee that this document is error-free. LitePoint Corporation reserves the right to make changes in specifications and other information contained in this document without prior notice.

CONTACT INFORMATION

180 Rose Orchard Way
San Jose, CA 95134
United States of America

+1.866.363.1911
+1.408.456.5000

LITEPOINT TECHNICAL SUPPORT

www.litepoint.com/support

Doc: 1075-0184-001
March 2023 Rev 1